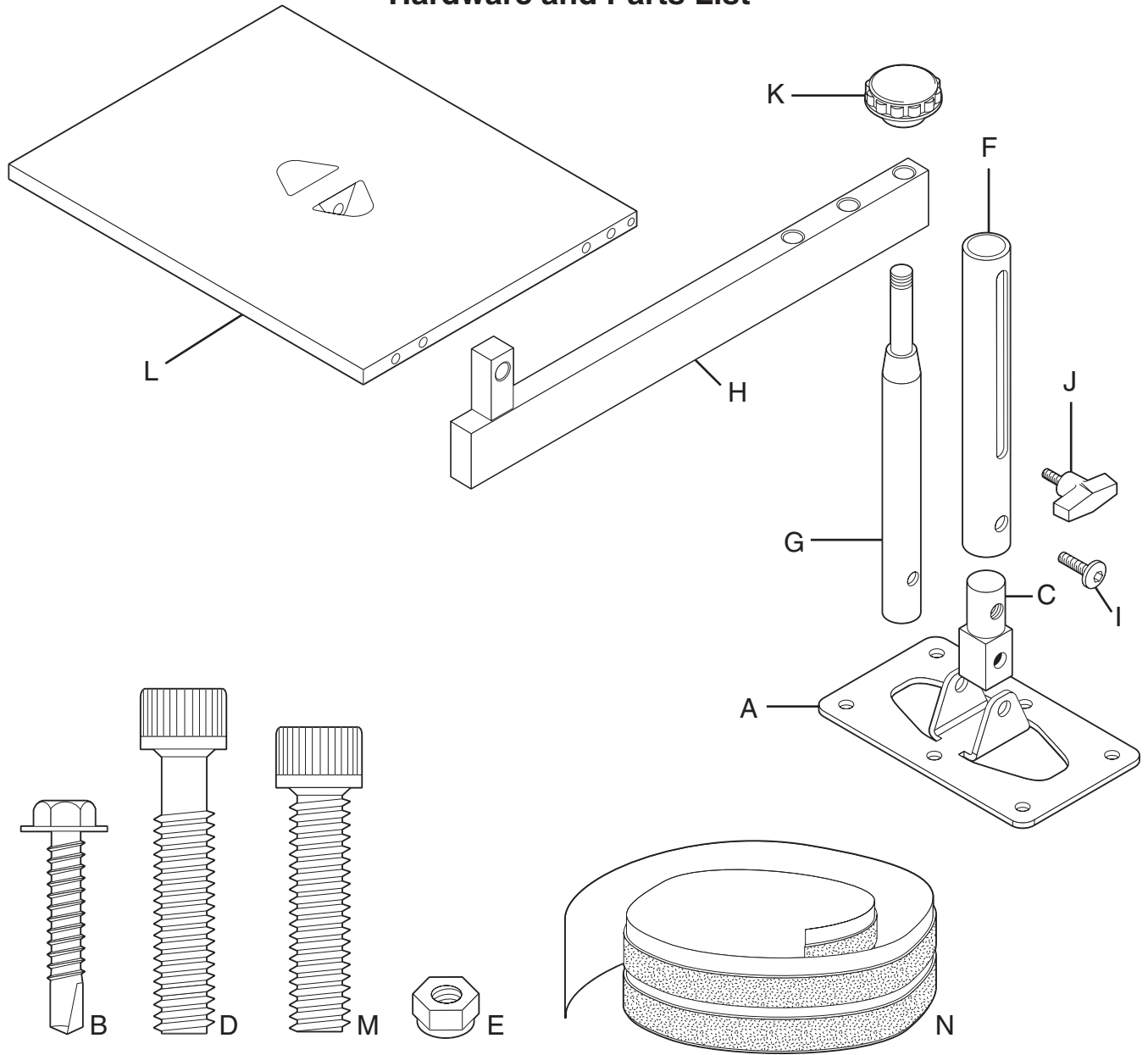


JENIKO

MOUNTING LAPTOP SUPPORT SYSTEM Model# CFL-800 / TFL-800 Instruction Manual

Hardware and Parts List



ITEM	DESCRIPTION	QUANTITY	ITEM	DESCRIPTION	QUANTITY
A	Floor Plate	1	H	Arm	1
B	1/4" X 1 1/4" Self Drilling Screws	4	I	3/8" X 1" Button Head Screw	1
C	Square End	1	J	Adjustment Knob	1
D	3/8" X 1 3/4" Cap Screw	1	K	1/2" - 13 Knob	1
E	3/8" Lock Nut	2	L	Tray	1
F	Outer Telescope Tube	1	M	3/8" X 1 1/2" Cap Screw	1
G	Inner Telescope Tube	1	N	One Foot Velcro Mounting Strip	1

WARNING

The user of this product must use their own judgment on safety and where to mount this product in their vehicle. Each vehicle is different which might require air bag or other safety considerations. Jeniko is not responsible for any injuries that might result from the use of our product. User must never use a laptop computer, GPS, or auto desk while driving, as this could be a serious hazard. Vehicle should be parked while using this support system.

Step 1

Find a convenient location to mount the floor plate (Be sure to mount this support system in a safe place, not to interfere with airbags). All cars are different, call your car manufacturer if you have questions about the safety of mounting location.

Fig. 1

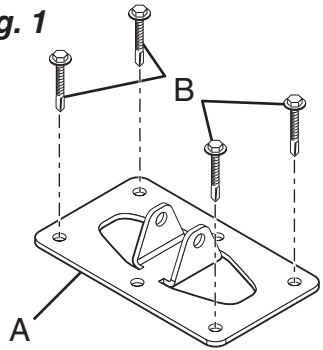
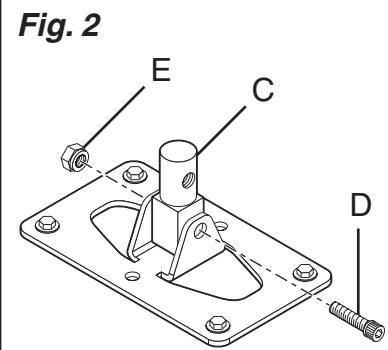


Fig. 2



Step 2

You can pre-drill the holes in the floor using a $\frac{7}{32}$ " drill bit. Then use the 4 mounting screws (B) to mount floor brace (A). Another option is to use a ratchet or power drill to drive the self-drilling screws directly into the floor.

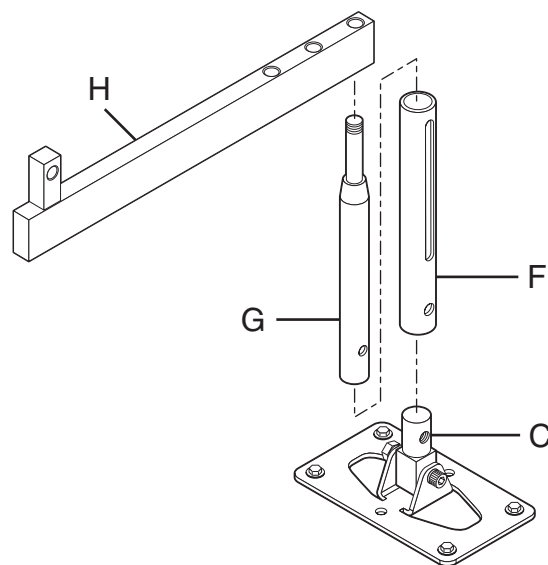
See Fig. 1

Step 3

Now use the $\frac{3}{8}$ " X $1\frac{3}{4}$ " cap screw (D) and lock nut (E) to mount the 1-inch square end (C) of the tube to the floor brace (be sure to tighten this hard so it doesn't pivot).

See Fig. 2

Fig. 3



Step 4

Place the outer telescope tube (F) over the square end (C). Place the inner telescope tube (G) into the outer telescope tube (G). Place the arm (H) onto the inner telescope tube.

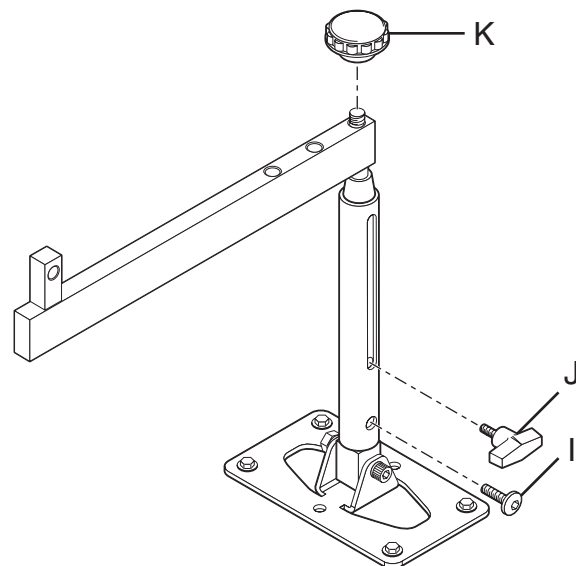
See Fig. 3

Step 5

Attach the $\frac{1}{2}$ " - 13 Knob (K) to lock arm in position. Attach the $\frac{3}{8}$ " X 1" Button Head Screw (I) and Adjustment Knobs (J) as shown.

See Fig. 4

Fig. 4

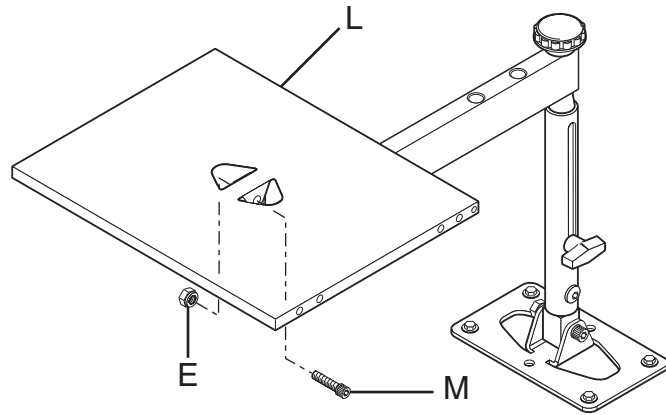


Step 6

Attach the laptop tray (L) using the $\frac{3}{8}$ " X $1\frac{1}{2}$ " Cap Screw (M) and $\frac{3}{8}$ " Lock Nut (E).

See Fig. 5

Fig. 5



Step 7

You need to figure a location for your laptop to mount on the top of the tray.

The laptop should be located to the back and right corner of the top of the tray before you mount the Velcro.

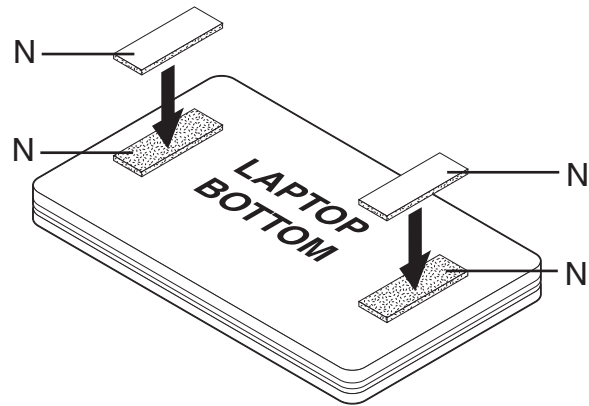
Step 8

Cut two 3" strips of velcro (N) and stick it to the bottom of the computer.

Attach the opposing side of the velcro to the velcro that is on the computer.

See Fig. 6

Fig. 6

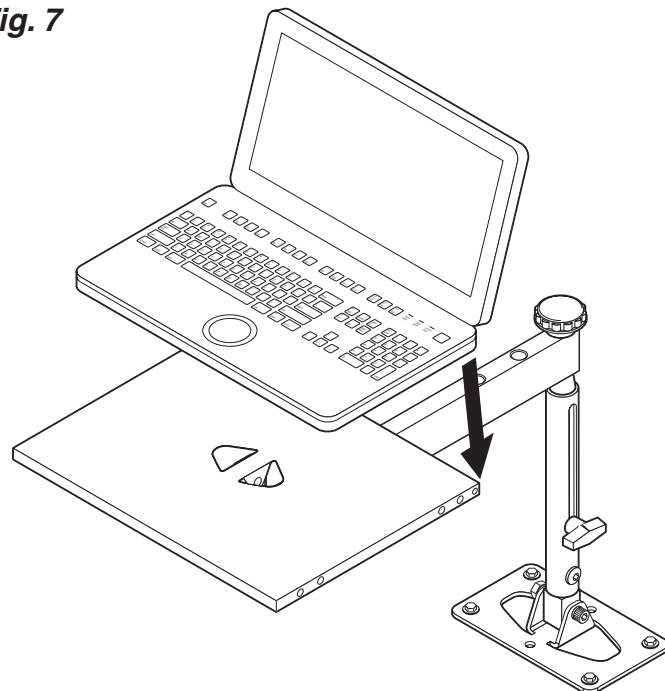


Step 9

Peel the sticker backing off. Now carefully place the entire laptop unit on the tray top.

See Fig. 7

Fig. 7



Step 10

Carefully pull the laptop off the tray (the velcro should remain on the top of the tray).

JENIKO

1020 Lunt Ave. Unit A
Schaumburg, IL 60193
Tel: (847) 923-1111 Fax: (847) 923-0730